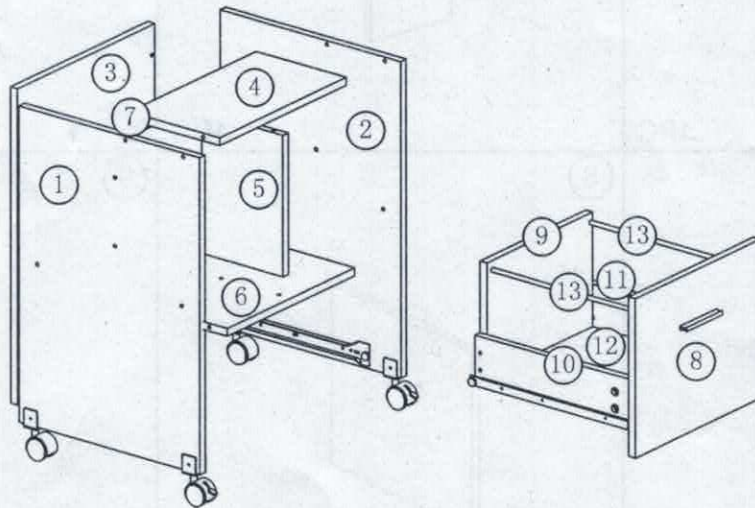
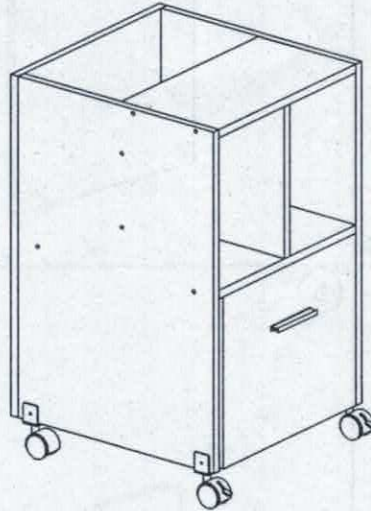


INSTALLATION INSTRUCTION

Installation tips:

Please don't tighten the screws completely and go back later for a final tightening of all the screws after pieces are aligned with each other.

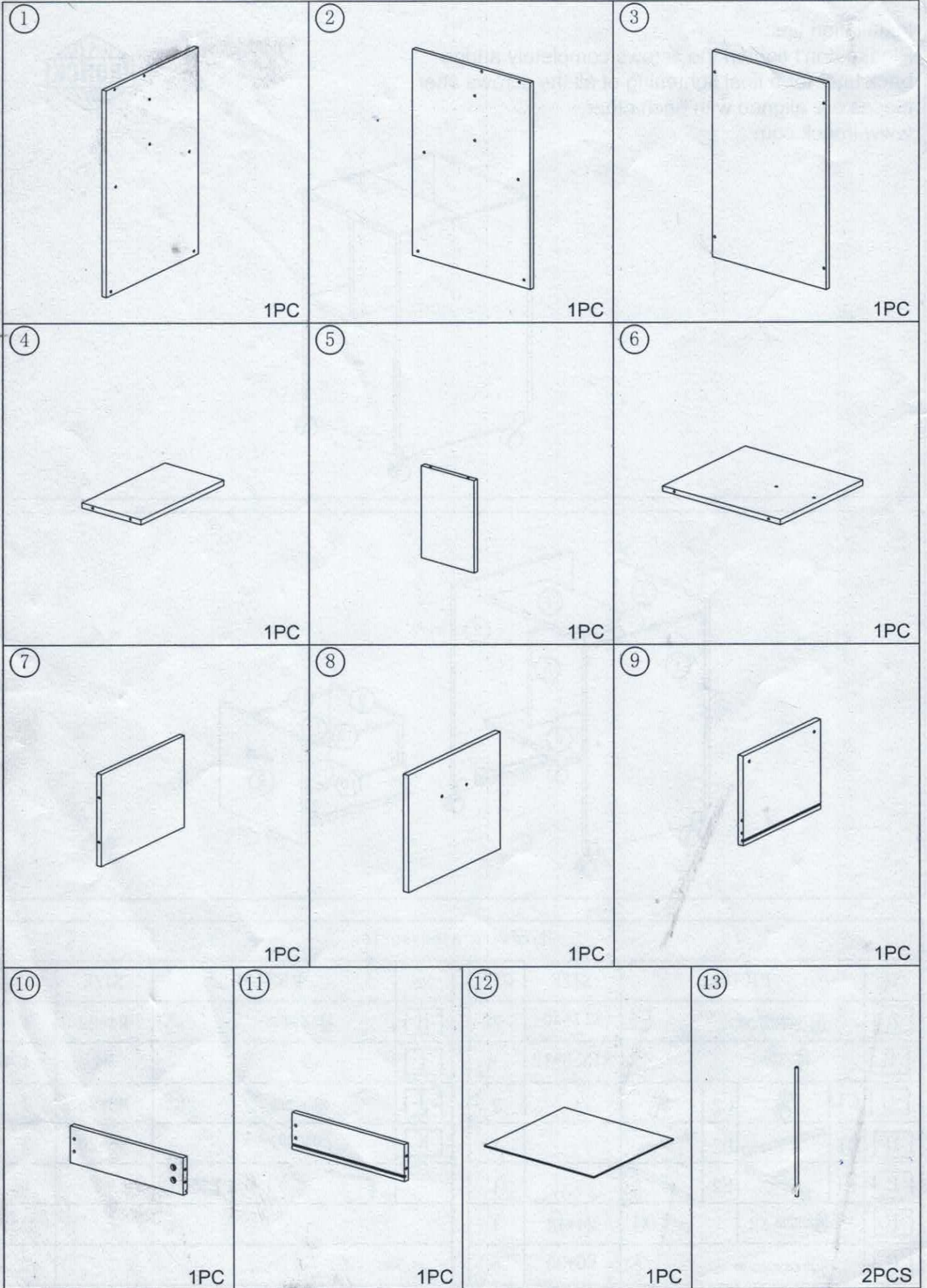
www.ironck.com



Hardware accessories

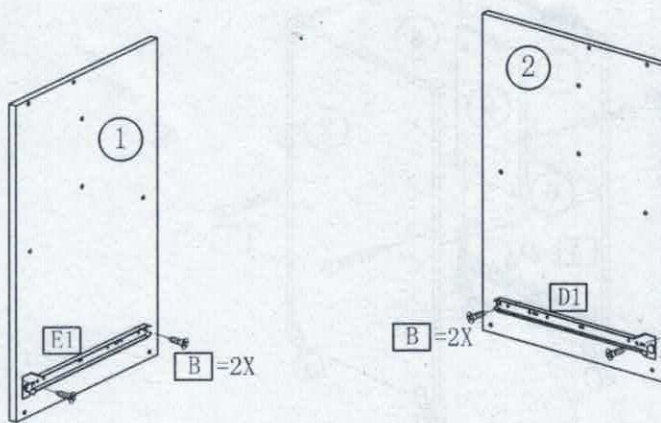
No.	PICTURE		SIZE	QTY	No.	PICTURE		SIZE	QTY
A			ST7*40	22	H			M4*22	4
B			ST3.5*12	8	I			M4	4
C	C1	C2		2	J			M6*25	2
D	D1	D2		1	K			M6*20	2
E	E1	E2		1					1
F	X2	X1	M4*18	1					
G			M6*35	6					

INSTALLATION INSTRUCTION



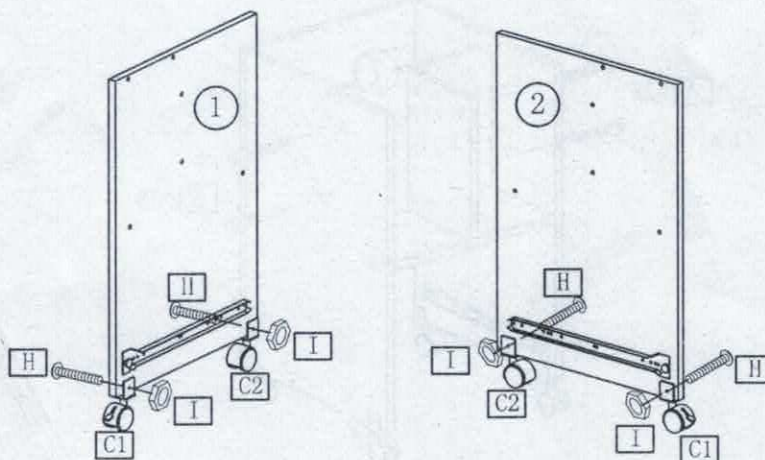
INSTALLATION INSTRUCTION

STEP 1



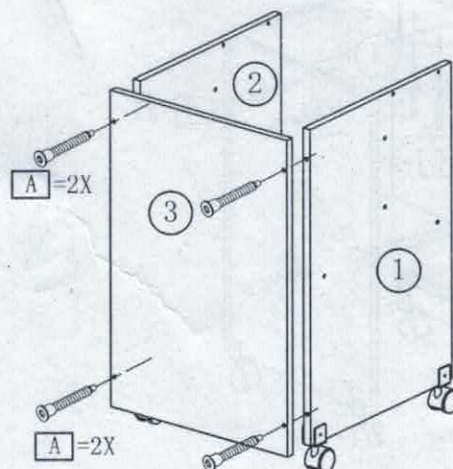
B	=4X	
D1	=1X	
E1	=1X	

STEP 2



C	=2X	
H	=4X	
I	=4X	

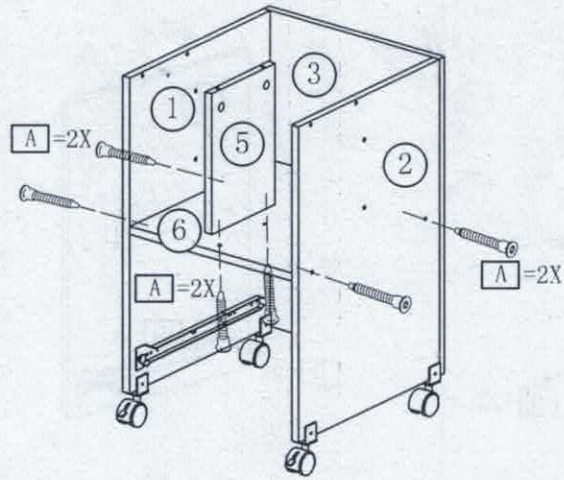
STEP 3



A	=4X	
---	-----	--

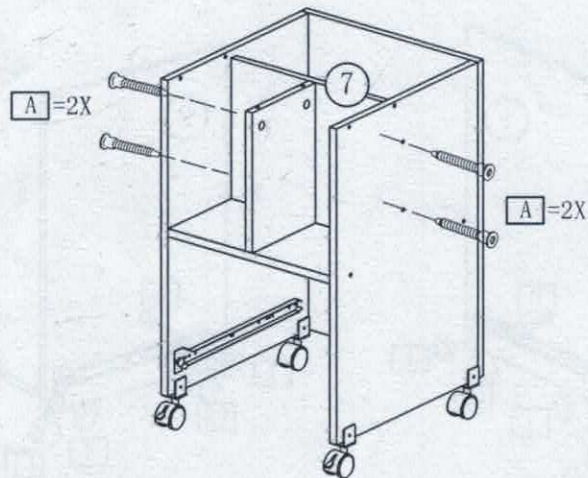
INSTALLATION INSTRUCTION

STEP 4



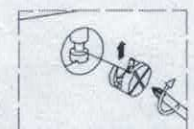
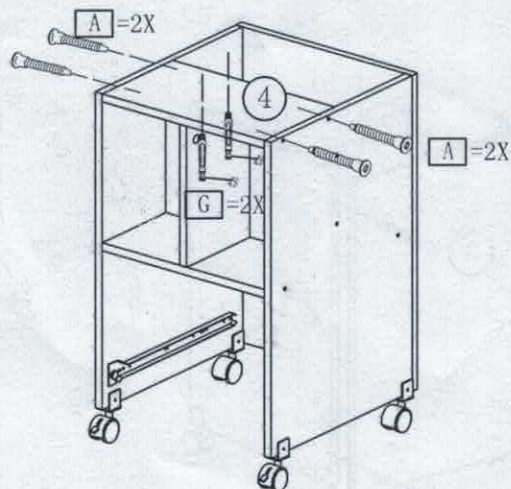
A = 6X 

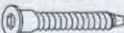
STEP 5




A = 4X 

STEP 6

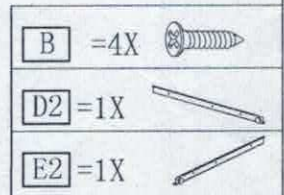
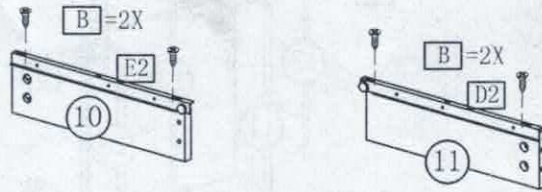


A = 4X 

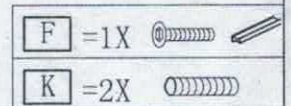
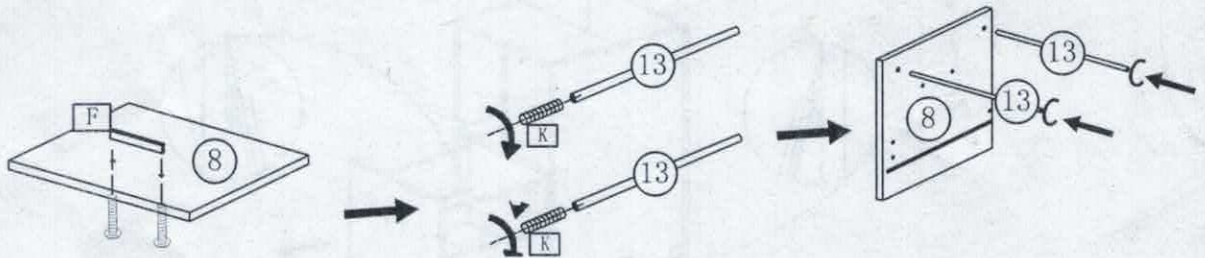
G = 2X 

INSTALLATION INSTRUCTION

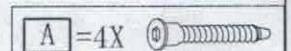
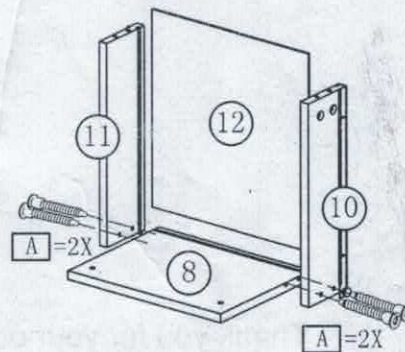
STEP 7



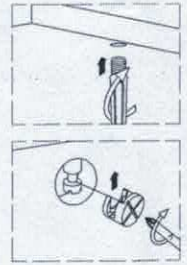
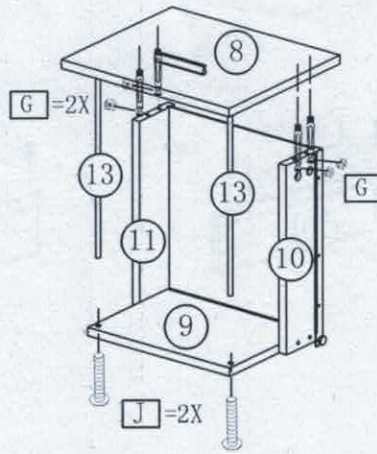
STEP 8





STEP 9

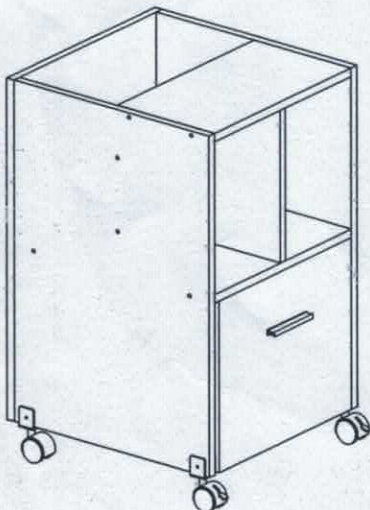
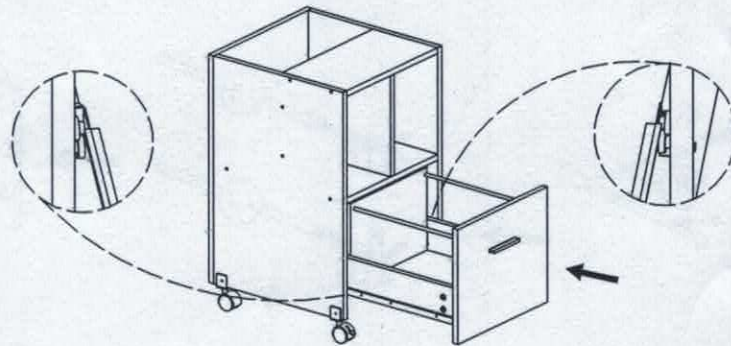


STEP 10



- G = 4X 
- J = 2X 

STEP 11



Thank you for your order. If you have any issues with your product, please feel free to contact us a message via support@IRONCK.com. We will help you solve the issue as soon as possible.